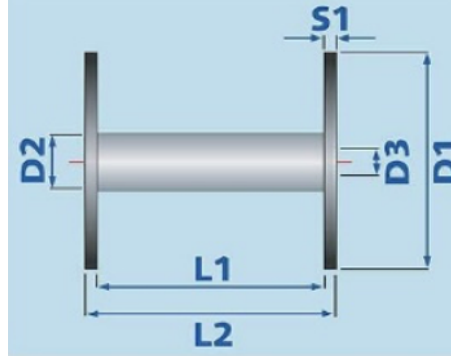


### Key



Please use the dimensions / sizing below as a guide to support your own 3D printing

Product weight	L1 mm	L2 mm	D1 mm	D2 mm	D3 mm	Net weight	Material
300-500 g	34	40	200	112	56.5	156 g	Cardboard
750 g	51	56	200	112	56.5	175 g	Cardboard
1 kg	74.5	80.5	200	112	56.5	205 g	Cardboard
<b>2.3 kg*</b> <b>From 02.23</b>	83	90	300	199	57	487 g	Cardboard
<b>2.3 kg</b> <b>Pre 02.23</b>	54	60	300	112	56	330 g	Cardboard
2.3 kg	90	101	300	212	51.5	609 g	Plastic
4.5 kg	90	100	350	180	52	780 g	Plastic
8.5 kg	157	182	355	183	45	868 g	Plastic

For 2.3 kg spooled-products\*

From February 2023, manufacturing will switch over to the new reel size (\*).

Therefore, there is a possibility that stock held from this date may consist of both sizes.

Products spooled onto the “From 02.23” 2.3 kg reel will have a clear label on the outer box to communicate that this is indeed the new reel.

#### Any questions?

Please email: [info@filamentive.com](mailto:info@filamentive.com)